

MK NEWS

21-02

2021.02.16

JAPAN



Shibuya / TOKYO

Cited from Wikipedia

Shibuya (渋谷 Shibuya-ku) is a special ward in Tokyo, Japan. A major commercial and business center, it houses the two busiest railway stations in the world, Shinjuku Station (southern half) and Shibuya Station.

As of May 1, 2016, it has an estimated population of 221,801 and a population density of 14,679.09 people per km² (38,018.7/sq mi). The total area is 15.11 km² (5.83 sq mi).

The name "Shibuya" is also used to refer to the shopping district which surrounds Shibuya Station. This area is known as one of the fashion centers of Japan, particularly for young people, and as a major nightlife area.



Member of International Sales Division

Ms. Eri Mizusawa

Year: 14 years
In charge: America, Russia, Europe Sales



What kind of work have you involved in since joining MK Kashiya?

I joined MKI sales division and started as Export shipping officer for Asia. My job changed drastically after I visited AAPEX show at Las Vegas in 2010. After that I involved for sales development of North America market, afterwards expanded ear in charge to EU, Russia and South America as Sales representative. Before join the company I studied at College of Foreign Languages and worked in Super market.

What is your relaxing time during work at office. Very busy mostly, but I healed from the nice character of Sergey-san. our Moscow office Manager.

How do you enjoy your private time? Now a day I love to check many Instagram to find new recipe and cook myself. My favorite is "Omu-rice" Japanese famous western fusion dish. Omelet made with fried rice with ketchup. I will cook for you when you come to Japan.

What are the unforgettable memories for business trip. 1. wonderful Greek cuisine 2. Blizzard in Kazakhstan stuck in airport.

Any word to the customers? It's very challenging period for each of us against pandemic, but please keep in touch with us. I am looking forward to meet you as soon as available.

Mr. Eichi Katai

Year: 7 years
In charge: Asia, Mid East, Africa, Oceania Sales



Please tell us your career history?

I entered in MK in 2010 for production line. I studied in UK and came back to Japan when I was 18, and helped my family business for a while. Later, I started working for a company manufacturing lathe machine for 2 years, my occupation was production control. After Lehman shock I had multiple jobs to experience many different kinds. It's been 7 years since I moved to International sales. My big challenge is to manage my team, I'm trying to my best.

Where is the most impressive place you ever visited? Zanzibar Island. Sunset from beach is awesome! It's hometown of Freddie Mercury and Old city is registered as world heritage. I recommend you go once in your life!

I heard you loves curry very much, what is your favorite taste? I'd tried many kinds during business trip as well, but the most familiar and favorite is spinach curry in Indian curry shop in our city. Let's go together when you visit us next time!

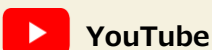
What is your dream? Do something creative, like Youtuber. After I retire my job, I'd like to be an artist. That was my dream when I was a child. Also, after COVID is over, I want to visit Showa Station in Antarctica and stay there.



Yoyogi National Gymnasium



Shibuya Scramble Square



· [Top 10 Things to DO in SHIBUYA](#)

MK ITEM / INTERCHANGE NEWS

February New Item Information

■ BRAKE PAD

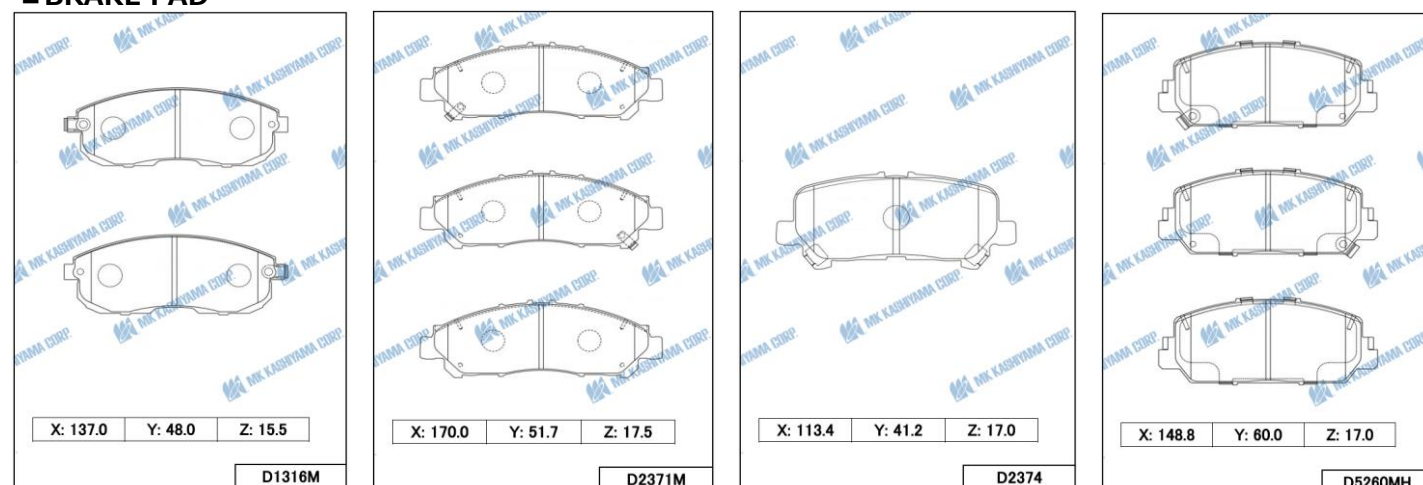
MK No.	Position	Application	Quotation Month
D1316M Made in Japan FMSI No:D815	Front	Nissan JUKE F15E (1600cc) 10.07- <EUR,GEN,IDN,THA,GCC> Nissan ALTIMA L31 (2500cc,3500cc) 01.08-06.10 <USA> Nissan CUBE Z12 09.02- <USA,KOR> Nissan MAXIMA A33B (3000cc,3500cc) 99.10-02.12 <USA,GEN,LA,ME,ZAF> Infiniti I30,I35 CA33 99.07-04.07 <USA>	February. 2021
D2371M Made in Indonesia FMSI No:D2268	Front	Toyota GRAN ACE GDH303W(2800cc) 19.12- <JPN>	February. 2021
D2374 Made in Indonesia FMSI No:D2269	Rear	Toyota GRAN ACE GDH303W(2800cc) 19.12- <JPN>	February. 2021
D5260MH Made in Indonesia FMSI No:D1625 D1697 D1832	Front	Honda ACCORD (2400cc,3500cc) 2016-2017 <USA> Honda CIVIC (1500cc) 2017-2020 <USA> Acura ILX (2400cc) 2016-2020 <USA> Acura RDX (3500cc) 2013-2018 <USA> Acura RLX (3500cc) 2014-2020 <USA>	February. 2021
D20188H Made in Indonesia FMSI No:D1328	Front	Ford E-150,250,350,450 2008-2017 <USA,CHN>	February. 2021
D20189H Made in Indonesia FMSI No:D726	Front	Isuzu HOMBRE 18G,48G 4WD 1996-1999 <USA> Chevrolet BLAZER 4.3L V6 4WD 2001-2005 <USA> GMC SONOMA 4.3L V6 4WD 2001-2004 <USA> Oldsmobile BRAVADE 4.3L V6 4WD 2001 <USA>	February. 2021

■ BRAKE SHOE

MK No.	Position	Application	Quotation Month
K11238 Made in Indonesia	Rear	Kia MORNING,PICANTO (1000cc,1200cc) 10.12-17.01 <EUR,KOR,GEN,ME>	February. 2021

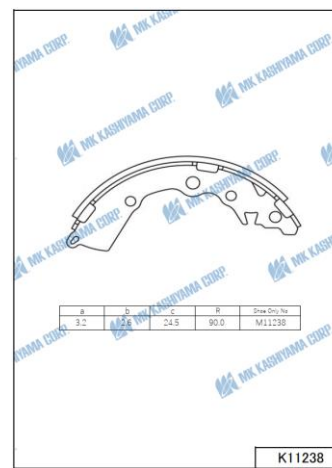
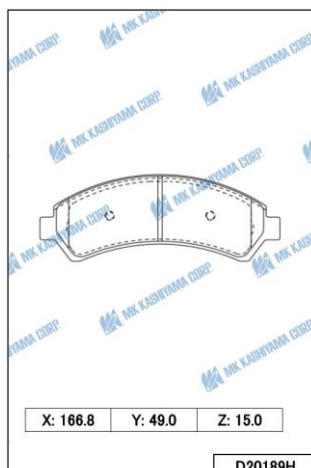
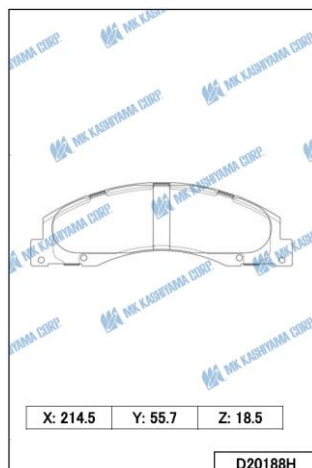
February New Item Drawing Information

■ BRAKE PAD



MK ITEM / INTERCHANGE NEWS

■ BRAKE PAD & SHOE



Valuable Information

■ Newly start production with Shim (Existing MK Item)

MK No.	Position	Application	Quotation Month
D1155H Made in Indonesia	Front	Nissan 180SX,SILVIA RS13,S13 91.09-93.12 <EUR> Nissan MAXIMA HJ30,J30 88.12-91.10 <EUR>	February. 2021
D1316MH Made in Indonesia FMSI No:D815	Front	Nissan JUKE F15E (1600cc) 10.07- <EUR,GEN,IDN,THA,GCC> Nissan ALTIMA L31 (2500cc,3500cc) 01.08-06.10 <USA> Nissan CUBE Z12 09.02- <USA,KOR> Nissan MAXIMA A33B (3000cc,3500cc) 99.10-02.12 <USA,GEN,LA,ME,ZAF> Infiniti I30,I35 CA33 99.07-04.07 <USA>	February. 2021
D1336MH Made in Indonesia FMSI No:D1736	Front	Nissan X-TRAIL T32 (2000cc,2500cc) 3ROW 14.04- <EUR,MEX,CHN,GEN,LA,GCC,ZAF> Nissan ROGUE T32 (2500cc) 13.10- <USA,CAN> Infiniti Q50,Q60 V37 (2000cc,3700cc) 13.05- <USA,CAN,MEX,KOR,GEN,GCC,CHN> Infiniti QX50 J50,J55X (2000cc,3700cc) 15.07- <USA,CAN,GCC,KOR,TWN,CHL>	February. 2021
D1339H Made in Japan FMSI No:D1737	Front	Nissan QASHQAI J11 (1200cc,2000cc) 13.12- <EUR,RUS,CAN,CHN,ZAF,GEN,CHN> Nissan X-TRAIL T32 (2000cc,2500cc) 3ROW 14.04- <EUR,MEX,CHN,GEN,LA,GCC,ZAF> Nissan ROGUE T32 (2500cc) 13.10- <USA,CAN>	February. 2021
D2048MH Made in Japan FMSI No:D352	Rear	Toyota COROLLA, SPRINTER AE80,82,90,101 83.05-95.05 <EUR,USA,CAN,GEN>	February. 2021
D2053MH Made in Indonesia FMSI No:D325	Rear	Toyota CAMRY CV20,SV20,VZV21 86.10-91.06 <EUR,USA,CAN,GEN> Toyota CARINA2 AT170,CT171,ST171 87.12-91.06 <EUR> Toyota CELICA AT160,ST160,ST182,ST185 85.08-91.01 <EUR,USA,CAN,GEN> Toyota CORONA ST171 87.12-91.06 <GEN>	February. 2021
D2082MH Made in Indonesia FMSI No:D436	Front	Toyota HILUX LN105,108,165,170,KDN165 88.08-05.08 <EUR,MEX,GEN,AUS,AUS,GCC> Toyota 4-RUNNER LN130,VZN61,RN120,121,130,131 87.11-95.11 <USA,CAN,GEN,GCC,AUS> Toyota LAND CRUISER BJ40,FJ40,FJ70,RJ70 75.09-07.01 <GEN,AUS,GCC,ZAF>	February. 2021

MK ITEM / INTERCHANGE NEWS

D2086H Made in Indonesia FMSI No:D2004	Front	Toyota HIACE LH100,RZH100,110,125 89.09-06.02 <EUR,GEN> Toyota HILUX LN145,150,KDN145,150 97.08-05.08 <EUR>	February. 2021
D2117MH Made in Indonesia FMSI No:D611	Front	Toyota 4-RUNNER RN120,130,VZN120,130 91.06-95.11 <EUR,USA,CAN,AUS> Toyota T100 VCK21 92.08-98.07 <USA,CAN>	February. 2021
D2160MH Made in Indonesia FMSI No:D436	Front	Toyota LAND CRUISER 90 KDJ90,95,RZJ90,95 96.04-08.12 <EUR,GEN,AUS,GCC,MYS> Toyota 4-RUNNER RZN180,185,VZN180,185 95.11-02.08 <EUR,USA,CAN,GEN> Toyota TACOMA RZN161,171,191,VZN160,170,195 95.01-04.09 <USA,CAN>	February. 2021
D2165MH Made in Japan	Rear	Toyota COROLLA,SPRINTER AE90,101,CE90,101,EE90,100 87.05-04.12 <EUR,GEN>	February. 2021
D2303H Made in Indonesia FMSI No:D1523	Front	Toyota HILUX KUN15,25,TGN15,16,GGN15,25 04.08-15.04 <EUR,GEN,AUS,GCC,IDN> Toyota INOVA,KIJANG TGN40 13.09-16.01 <MYS>	February. 2021
D2344H Made in Japan	Rear	Toyota NOAH,VOXY ZRR80 14.01- <GEN>	February. 2021
D2354H Made in Indonesia FMSI No:D2058	Front	Toyota HILUX GUN112,122,KUN112,122,TGN110,120 15.05- <GCC,GEN,IDN,PHL,THA,ZAF>	February. 2021
D3062MH Made in Indonesia FMSI No:D466	Front	Mazda 323,323F BG,BA,BE,BC 89.05- <EUR,CHE,UK,USA,CAN,GEN,CHN,GCC,PH> Mazda DEMIO DW 98.04- <UK,EUR,GEN,COL> Mazda PROTÉGÉ BG,BB 92.01- <BRA> Kia RIO (1300cc,1500cc) 99.11-02.07 <EUR,CIS,USA,CAN,KOR,GEN,ME,AUS> kia AVELLA (1300cc,1500cc) 94-00.02 <KOR,GEN> Ford LASER BG 89.07-94.06 <UK,EUR,CHE>	February. 2021
D5110MH Made in Japan	Front	Honda LIFE DUNK JB3,4 (660cc) 98.10-03.08 <JPN> Honda THA'S JD1,2 W/TURBO (660cc) 02.02-07.06 <JPN> Subaru DIAS WAGON TW1,2 (660cc) 02.06-09.08 <JPN>	February. 2021
D5191H Made in Indonesia FMSI No:D1585 D1724	Rear	Honda PILOT (3500cc) 2012-2020 <EUR,USA,GEN,PHL> Honda PASSPORT (3500cc) 2019-2020 <USA> Honda RIDGELINE (3500cc) 2017-2020 <USA> Acura MDX (3500cc) 2014-2016 <USA>	February. 2021
D6014H Made in Indonesia	Front	Mitsubishi GALANT A163,167 1981- <EUR,GEN> Mitsubishi L300 L032,L03G,L039 81.08-08.10 <EUR,GEN> Mitsubishi MONTERO L042G,L044G,L048G 83.01-91.06 <EUR,USA,GEN,GCC> Mitsubishi PAJERO L042G,L044G,L047G,L049G 83.01-87.06 <EUR,USA,GEN,GCC>	February. 2021
D6018MH Made in Indonesia FMSI No:D349	Front	Mitsubishi L200 K11T,K12T,K14T,K34T 86.11-01.03 <EUR,USA,GEN,GCC> Mitsubishi L300 P02V,P03V,P23V,P24V 86.11-08.10 <EUR,RUS,GEN,CHL,GCC,RHL> Mitsubishi MONTERO L042G,L044G,L141 83.01-91.06 <EUR,USA,GEN,GCC> Mitsubishi PAJERO L042G,L043G,L044G,V12V,V34V 83.01-04.04 <EUR,CIS,GEN,GCC>	February. 2021

MK ITEM / INTERCHANGE NEWS

D6039MH Made in Indonesia FMSI No:D530,D723	Front	Mitsubishi ECLIPSE D27A,D33A,D53A 89.01-00.05 <EUR,USA,CAN> Mitsubishi GALANT E39A,EA2A,EA5A 89.11-00.02 <EUR,USA,CAN> Mitsubishi L200 K34T,K74T,K75T 95.06-07.12 <EUR,GEN,GCC> Mitsubishi L400 PD3V,PD5V 94.06-01.03 <EUR,CHN,GEN,HKG> Mitsubishi LANCER CY4A 4WD 08.06- <EUR,USA,CAN,GEN> Mitsubishi LANCER SPORTBACK CX4A 08.07-17.08 <EUR,RUS,USA,CAN,GEN>	February. 2021
D6081H Made in Indonesia	Front	Mitsubishi L200 K62T,K64T,K74T 96.01-07.12 <EUR,GEN,GCC,AHL> Mitsubishi L300 P13T,P15T 94.06-00.04 <EUR,GEN> Mitsubishi L400 PA3W,PD3W,PA5W 94.06-05.06 <GEN,CHN,HKG,GCC,PHL,ZAF> Mitsubishi PAJERO V14C,V14V 95.06-04.04 <EUR,CIS,RUS> Mitsubishi SPACE GEAR PA3W, PA4W, PA5W 94.06-01.03 <EUR> Mitsubishi PAJERO, MONTERO V11V,V31V 90.12-03.06 <GEN,GCC,CHN>	February. 2021
D6141MH Made in Indonesia	Front	Mitsubishi L200 KA4T,KB4T,KB4T,KB4T,KB4T,KB4T 05.05- <EUR,GEN,MYS> Mitsubishi SPORTERO KL1T,KL2T,KL3T 15.01- <GEN,MYS> Mitsubishi STRADA KL3T 15.01- <MYS> Mitsubishi TRITON KB4T,KB4T,KB4T,KB4T,KB4T 05.05- <GEN,MYS,PER>	February. 2021

■ Newly start production at Indonesia Factory (Existing MK Item)

***D2378M** are available in indonesia from February order.

■ Discontinued Item

***D11366MH**

are not available because it is being product integration with “**D11379MH**” from February order.

If you have planning to order this itme, please order as **D11379MH**.

■ Interchange information (Existing MK Item)

MK No.	Position	Application	Year
D2281	Rear	LEXUS LX570 (5700cc) <USA>	2020-
D2281	Rear	LEXUS LX570 (5700cc) <USA>	2020-
D2278MH	Front	LEXUS LX570 (5700cc) <USA>	2020-
D11274MH	Front	KIA MORNING (1000cc,1200cc) <GEN,EUR>	2014.09-

■ Change Compatible Information (Existing MK Item)

1. Changed compatible MK No. by difference wear indicator quantity. (from 1 pce. to 4 pce.)

OE No.	Position	MK Old Compatible No.	Thickness		MK New Compatible No.	Thickness
55810-80J02	Front	D1241M	15.5mm		D1316M	15.5mm
55810-80J03	Front	D1241M	15.5mm		D1316M	15.5mm
55810M65M00	Front	D1241M	15.5mm		D1316M	15.5mm
AY040-NS929	Front	D1241M	15.5mm		D1316M	15.5mm
D106M-88E85	Front	D1241M	15.5mm		D1316M	15.5mm

